

PLLatinum™ Fractional N RF/ Integer N IF Dual Low Power Frequency Synthesizer LMX2354 2.5 GHz/550 MHz

Check for Samples: [LMX2354](#)

FEATURES

- Pin Compatible/Functional Equivalent to the LMX2350
- Enhanced Low Noise Fractional Engine
- 2.7V to 5.5V Operation
- Low Current Consumption
 - LMX2354: $I_{CC} = 7 \text{ mA}$ Typical at 3V
- Programmable or Logical Power Down Mode:
 - $I_{CC} = 5 \text{ }\mu\text{A}$ Typical at 3V
- Modulo 15 or 16 Fractional RF N Divider Supports Ratios of 1, 2, 3, 4, 5, 8, 15, or 16
- Programmable Charge Pump Current Levels
 - RF 100 μA to 1.6 mA in 100 μA Steps
 - IF 100 μA or 800 μA
- Digital Filtered Lock Detect
- Available in 24-Pin TSSOP and 24-Pin LGA

APPLICATIONS

- Portable Wireless Communications (PCS/PCN, Cordless)
- Dual Mode Cellular Telephone Systems
- Zero Blind Slot TDMA Systems
- Spread Spectrum Communication Systems (CDMA)
- Cable TV Tuners (CATV)

DESCRIPTION

The LMX2354 is part of a family of monolithic integrated fractional N/Integer N frequency synthesizers designed to be used in a local oscillator subsystem for a radio transceiver. It is fabricated using TI's 0.5 μm ABiC V silicon BiCMOS process. The LMX2354 contains quadruple modulus prescalers along with modulo 15 or 16 fractional compensation circuitry in the RF divider. The LMX2354 provides a continuous divide ratio of 80 to 32767 in 16/17/20/21 (1.2 GHz–2.5 GHz) fractional mode and 40 to 16383 in 8/9/12/13 (550 MHz–1.2 GHz) fractional mode. The IF circuitry for the LMX2354 contains an 8/9 prescaler, and is fully programmable. Using a fractional N phase locked loop technique, the LMX2354 can generate very stable low noise control signals for UHF and VHF voltage controlled oscillators (VCOs).

For the RF PLL, a highly flexible 16 level programmable charge pump supplies output current magnitudes from 100 μA to 1.6 mA. Two uncommitted CMOS outputs can be used to provide external control signals, or configured to FastLock mode. Serial data is transferred into the LMX2354 via a three wire interface (Data, LE, Clock). Supply voltage can range from 2.7V to 5.5V. The LMX2354 family features very low current consumption; typically LMX2354 (2.5 GHz) — 7.0 mA. The LMX2354 are available in a 24-pin TSSOP surface mount plastic package and 24-pin LGA.

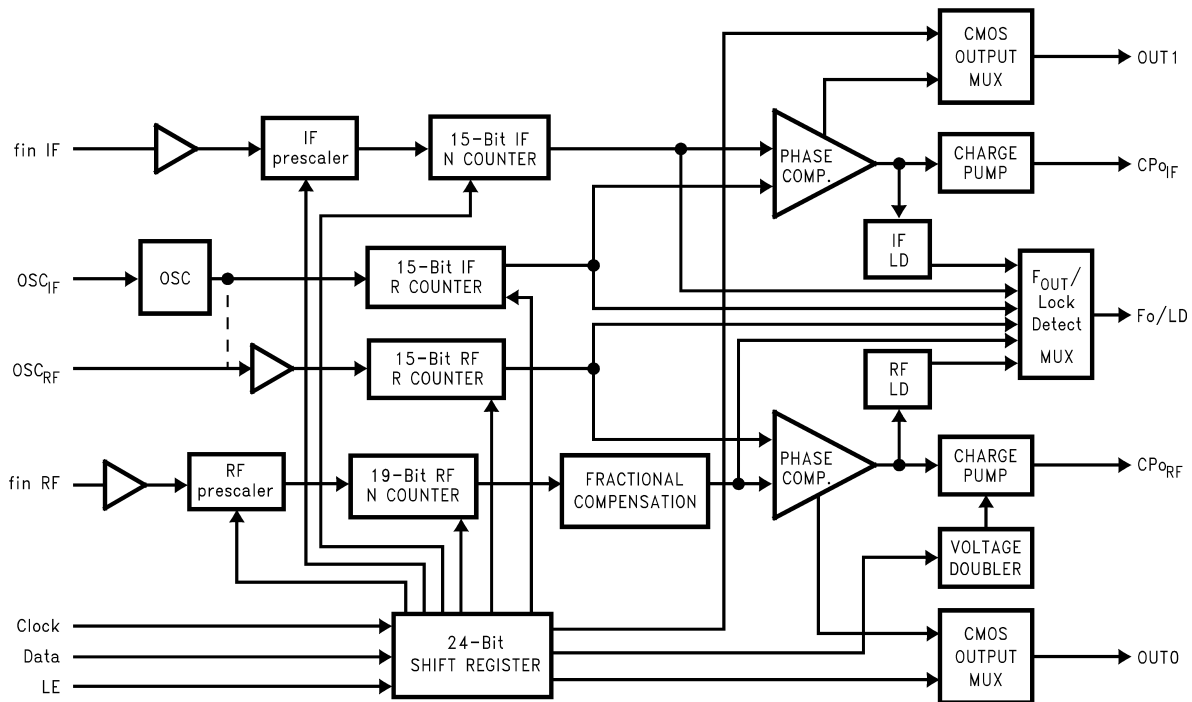


Please be aware that an important notice concerning availability, standard warranty, and use in critical applications of Texas Instruments semiconductor products and disclaimers thereto appears at the end of this data sheet.

PLLatinum is a trademark of Texas Instruments.

All other trademarks are the property of their respective owners.

Functional Block Diagram



Connection Diagram

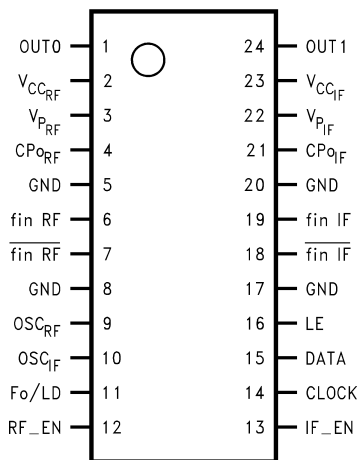


Figure 1. LMX2336U Pin Out
See Package Number PW0024A

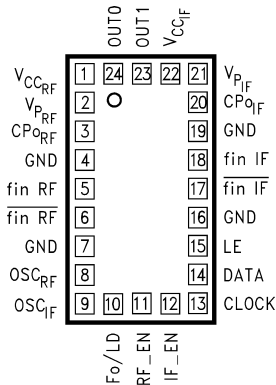


Figure 2. LMX2336U Pin Out
See Package Number NPH

PIN DESCRIPTIONS

Pin No. for TSSOP Package	Pin No. for LGA Package	Pin Name	I/O	Description
1	24	OUT0	O	Programmable CMOS output. Level of the output is controlled by IF_N [17] bit.
2	1	V _{CCRF}	—	RF PLL power supply voltage input. Must be equal to V _{CCIF} . May range from 2.7V to 5.5V. Bypass capacitors should be placed as close as possible to this pin and be connected directly to the ground plane.
3	2	V _{PRF}	—	Power supply for RF charge pump. Must be ≥ V _{CCRF} and V _{CCIF} .
4	3	CP _{ORF}	O	RF charge pump output. Connected to a loop filter for driving the control input of an external VCO.
5	4	GND	—	Ground for RF PLL digital circuitry.
6	5	fin RF	I	RF prescaler input. Small signal input from the VCO.
7	6	$\overline{\text{fin RF}}$	I	RF prescaler complimentary input. A bypass capacitor should be placed as close as possible to this pin and be connected directly to the ground plane.
8	7	GND	—	Ground for RF PLL analog circuitry.
9	8	OSC _{RF}	I	Dual mode oscillator output or RF R counter input. Has a V _{CC} /2 input threshold when configured as an input and can be driven from an external CMOS or TTL logic gate.
10	9	OSC _{IF}	I	Oscillator input which can be configured to drive both the IF and RF R counter inputs or only the IF R counter depending on the state of the OSC programming bit. (See REFERENCE OSCILLATOR INPUTS and Register Location Truth Table)
11	10	Fo/LD	O	Multiplexed output of N or R divider and RF/IF lock detect. CMOS output. (See Register Location Truth Table)
12	11	RF_EN	I	RF PLL Enable. Powers down RF N and R counters, prescaler, and TRI-STATE charge pump output when LOW. Bringing RF_EN high powers up RF PLL depending on the state of RF_CTL_WORD. (See POWER CONTROL)
13	12	IF_EN	I	IF PLL Enable. Powers down IF N and R counters, prescaler, and TRI-STATE charge pump output when LOW. Bringing IF_EN high powers up IF PLL depending on the state of IF_CTL_WORD. (See POWER CONTROL)
14	13	CLOCK	I	High impedance CMOS Clock input. Data for the various counters is clocked into the 24-bit shift register on the rising edge.
15	14	DATA	I	Binary serial data input. Data entered MSB first. The last two bits are the control bits. High impedance CMOS input.
16	15	LE	I	Load Enable high impedance CMOS input. Data stored in the shift registers is loaded into one of the 4 internal latches when LE goes HIGH. (See MICROWIRE SERIAL INTERFACE)
17	16	GND	—	Ground for IF analog circuitry.
18	17	$\overline{\text{fin IF}}$	I	IF prescaler complimentary input. A bypass capacitor should be placed as close as possible to this pin and be connected directly to the ground plane.
19	18	fin IF	I	IF prescaler input. Small signal input from the VCO.

PIN DESCRIPTIONS (continued)

Pin No. for TSSOP Package	Pin No. for LGA Package	Pin Name	I/O	Description
20	19	GND	—	Ground for IF digital circuitry.
21	20	CP _{OIF}	O	IF charge pump output. For connection to a loop filter for driving the input of an external VCO.
22	21	V _{PIF}	—	Power supply for IF charge pump. Must be $\geq V_{CCRF}$ and V_{CCIF} .
23	22	V _{CCIF}	—	IF power supply voltage input. Must be equal to V_{CCRF} . Input may range from 2.7V to 5.5V. Bypass capacitors should be placed as close as possible to this pin and be connected directly to the ground plane.
24	23	OUT1	O	Programmable CMOS output. Level of the output is controlled by IF_N [18] bit.



These devices have limited built-in ESD protection. The leads should be shorted together or the device placed in conductive foam during storage or handling to prevent electrostatic damage to the MOS gates.

Absolute Maximum Ratings ⁽¹⁾⁽²⁾

Parameter	Symbol	Value			Units
		Min	Typ	Max	
Power Supply Voltage	V _{CCRF}	-0.3		6.5	V
	V _{CCIF}	-0.3		6.5	V
	V _{PRF}	-0.3		6.5	V
	V _{PIF}	-0.3		6.5	V
Voltage on any pin with GND = 0V	V _i	-0.3		V _{CC} + 0.3	V
Storage Temperature Range	T _s	-65		+150	C°
Lead Temperature (Solder 4 sec.)	T _L			+260	C°

- (1) "Absolute Maximum Ratings" indicate limits beyond which damage to the device may occur. Operating Ratings indicate conditions for which the device is intended to be functional, but do not ensure specific performance limits. For ensured specifications and test conditions, see the Electrical Characteristics. The ensured specifications apply only for the test conditions listed.
- (2) This Device is a high performance RF integrated circuit with an ESD rating < 2kV and is ESD sensitive. Handling and assembly of this device should only be done at ESD-free workstations.

Recommended Operating Conditions

Parameter	Symbol	Value			Units
		Min	Typ	Max	
Power Supply Voltage	V _{CCRF}	2.7		5.5	V
	V _{CCIF}	V _{CCRF}		V _{CCRF}	V
	V _{PRF}	V _{CC}		5.5	V
	V _{PIF}	V _{CC}		5.5	V
Operating Temperature	T _A	-40		+85	C°

Electrical Characteristics

($V_{CCRF} = V_{CCIF} = V_{PRF} = V_{PIF} = 3.0V$; $-40^{\circ}C < T_A < +85^{\circ}C$ except as specified)

All min/max specifications are specified by design, or test, or statistical methods.

Symbol	Parameter	Conditions	Value			Units
			Min	Typ	Max	
GENERAL						
I_{CC}	Power Supply Current	RF and IF		6.0	8.5	mA
		IF Only		1.1	2.0	mA
$I_{CC-PWDN}$	Power Down Current	RF_EN = IF_EN = LOW		20	50	μA
$f_{in\ RF}$	RF Operating Frequency		0.5		2.5	GHz
$f_{in\ IF}$	IF Operating Frequency		10		550	MHz
f_{OSC}	Oscillator Frequency	No load on OSC _{RF}	2		50	MHz
f_{ϕ}	Phase Detector Frequency	RF and IF			10	MHz
$Pf_{in\ RF}$	RF Input Sensitivity	$V_{CC} = 3.0V$	-15		0	dBm
		$V_{CC} = 5.0V$	-10		0	dBm
$Pf_{in\ IF}$	IF Input Sensitivity	$2.7V \leq V_{CC} \leq 5.5V$	-10		0	dBm
V_{OSC}	Oscillator Sensitivity	OSC _{IF} , OSC _{RF}	0.5		V_{CC}	V_{PP}
CHARGE PUMP						
$ICPo_{-source\ RF}$	RF Charge Pump Output Current (see Programming Description)	$VCPo = Vp/2$, RF_CP_WORD = 0000		-100		μA
$ICPo_{-sink\ RF}$		$VCPo = Vp/2$, RF_CP_WORD = 0000		100		μA
$ICPo_{-source\ RF}$		$VCPo = Vp/2$, RF_CP_WORD = 1111		-1.6		mA
$ICPo_{-sink\ RF}$		$VCPo = Vp/2$, RF_CP_WORD = 1111		1.6		mA
$ICPo_{-source\ IF}$	IF Charge Pump Output Current (see Programming Description)	$VCPo = Vp/2$, CP_GAIN_8 = 0		-100		μA
$ICPo_{-sink\ IF}$		$VCPo = Vp/2$, CP_GAIN_8 = 0		100		μA
$ICPo_{-source\ IF}$		$VCPo = Vp/2$, CP_GAIN_8 = 1		-800		μA
$ICPo_{-sink\ IF}$		$VCPo = Vp/2$, CP_GAIN_8 = 1		800		μA
$ICPo_{-Tri}$	Charge Pump TRI-STATE Current	$0.5 \leq VCPo \leq Vp - 0.5$ $-40^{\circ}C < T_A < +85^{\circ}C$	-2.5		2.5	nA
$RF\ ICPo_{-sink\ vs.}\ ICPo_{-source}$	RF CP Sink vs. Source Mismatch	$VCPo = Vp/2$, $T_A = 25^{\circ}C$ RF $ICPo = 900\mu A - 1.6mA$		3.5	10	%
$ICPo\ vs.\ VCPo$	CP Current vs. Voltage Variation	$0.5 \leq VCPo \leq Vp - 0.5$ $T_A = 25^{\circ}C$ RF $ICPo$		5	10	%
$ICPo\ vs.\ T$	CP Current vs Temperature	$VCPo = Vp/2$ $-40^{\circ}C < T_A < +85^{\circ}C$ RF $ICPo$		8		%
V_{CP}	Charge Pump Output Voltage (RF only)	$2.7V \leq V_{CC} \leq 3.3V$, Doubler Enabled		$2 * V_{CC}$ -0.5		V
DIGITAL INTERFACE (DATA, CLK, LE, EN, FoLD)						
V_{IH}	High-level Input Voltage	(1)	$0.8 V_{CC}$			V
V_{IL}	Low-level Input Voltage	(1)			$0.2 V_{CC}$	V
I_{IL}	Low-level Input Current	$V_{IL} = 0$, $V_{CC} = 5.5V$, (1)	-1.0		1.0	μA
I_{IH}	High-level Input Current	$V_{IH} = V_{CC} = 5.5V$, (1)	-1.0		1.0	μA
I_{IH}	Oscillator Input Current	$V_{IH} = V_{CC} = 5.5V$			100	μA
I_{IL}	Oscillator Input Current	$V_{IL} = 0$, $V_{CC} = 5.5V$	-100			μA
V_{OH}	High-level Output Voltage	$I_{OH} = -500\mu A$	$V_{CC} - 0.4$			V
V_{OL}	High-level Output Voltage	$I_{OL} = 500\mu A$			0.4	V
MICROWIRE TIMING						
t_{CS}	Data to Clock Setup Time	See SERIAL DATA INPUT TIMING	50			ns
t_{CH}	Data to Clock Hold Time	See SERIAL DATA INPUT TIMING	10			ns
t_{CWH}	Clock Pulse Width High	See SERIAL DATA INPUT TIMING	50			ns
t_{CWL}	Clock Pulse Width Low	See SERIAL DATA INPUT TIMING	50			ns

(1) except f_{IN} , OSC_{IF} and OSC_{RF}

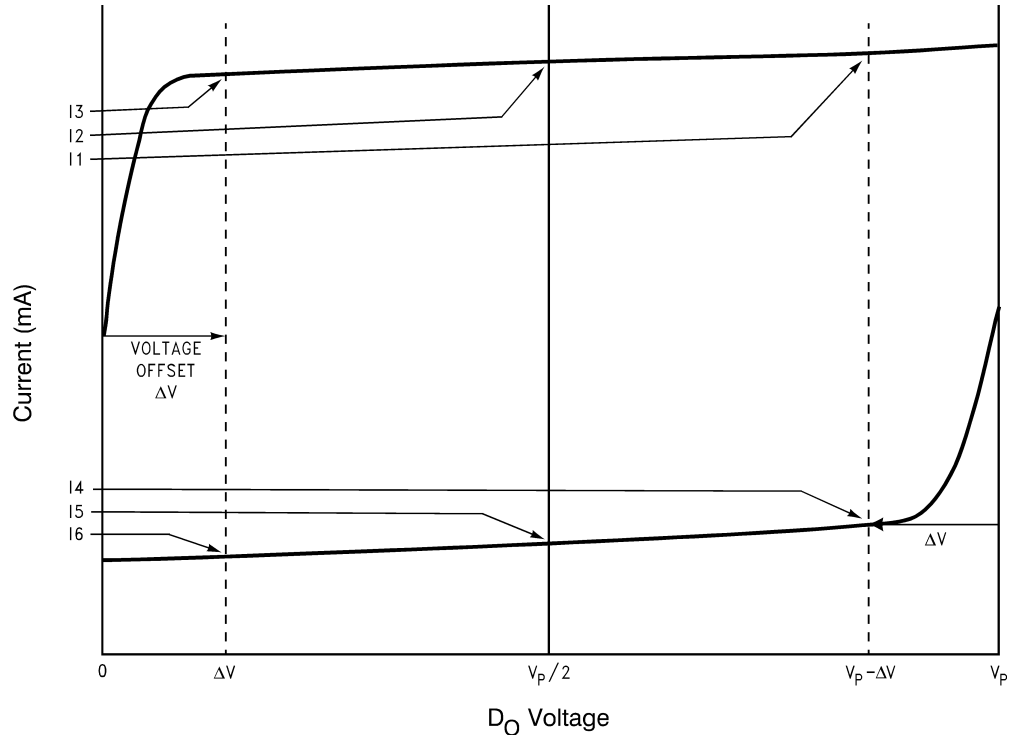
Electrical Characteristics (continued)

($V_{CCRF} = V_{CCIF} = V_{PRF} = V_{PIF} = 3.0V$; $-40^{\circ}C < T_A < +85^{\circ}C$ except as specified)

All min/max specifications are specified by design, or test, or statistical methods.

Symbol	Parameter	Conditions	Value			Units
			Min	Typ	Max	
t_{ES}	Clock to Load Enable Set Up Time	See SERIAL DATA INPUT TIMING	50			ns
t_{EW}	Load Enable Pulse Width	See SERIAL DATA INPUT TIMING	50			ns

Charge Pump Current Specification Definitions



I₁ = CP sink current at $V_{D_o} = V_p - \Delta V$

I₂ = CP sink current at $V_{D_o} = V_p/2$

I₃ = CP sink current at $V_{D_o} = \Delta V$

I₄ = CP source current at $V_{D_o} = V_p - \Delta V$

I₅ = CP source current at $V_{D_o} = V_p/2$

I₆ = CP source current at $V_{D_o} = \Delta V$

ΔV = Voltage offset from positive and negative rails. Dependent on VCO tuning range relative to V_{CC} and ground.

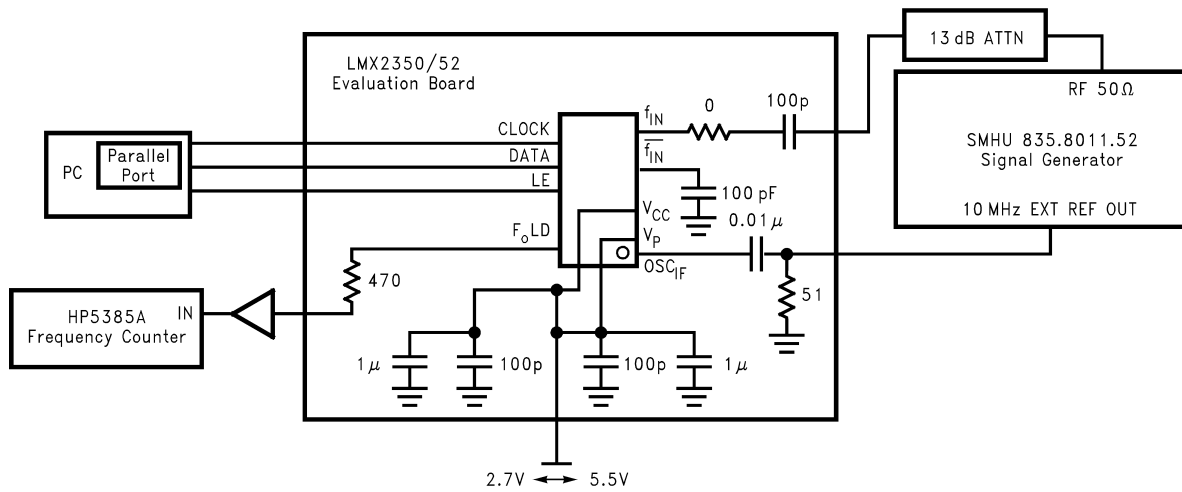
Typical values are between 0.5V and 1.0V.

I_{D_o} vs V_{D_o} = Charge Pump Output Current magnitude variation vs Voltage = $[\frac{1}{2} * \{I_1 - I_3\}] / [\frac{1}{2} * \{I_1 + I_3\}] * 100\%$
and $[\frac{1}{2} * \{I_4 - I_6\}] / [\frac{1}{2} * \{I_4 + I_6\}] * 100\%$

I_{D_o-sink} vs $I_{D_o-source}$ = Charge Pump Output Current Sink vs Source Mismatch = $[|I_2 - I_5|] / [\frac{1}{2} * \{I_2 + I_5\}] * 100\%$

I_{D_o} vs T_A = Charge Pump Output Current magnitude variation vs Temperature = $[|I_2 @ temp| - I_2 @ 25^{\circ}C|] / |I_2 @ 25^{\circ}C| * 100\%$ and $[|I_5 @ temp| - I_5 @ 25^{\circ}C|] / |I_5 @ 25^{\circ}C| * 100\%$

RF Sensitivity Test Block Diagram



Note: N = 10,000 R = 50 P = 16

Note: Sensitivity limit is reached when the error of the divided RF output, F_{oLD} , is ≥ 1 Hz.

Typical Performance Characteristics

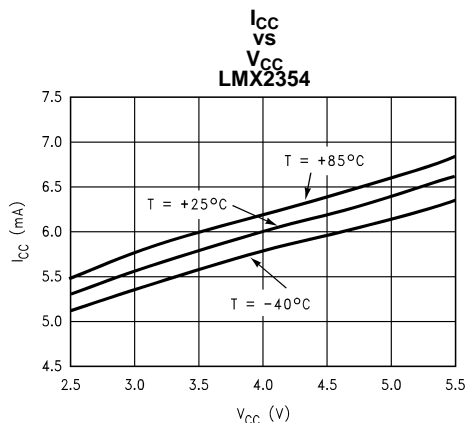


Figure 3.

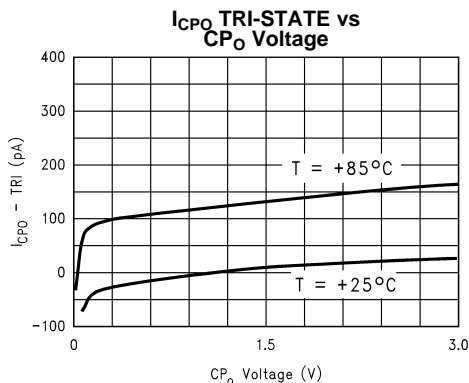


Figure 4.

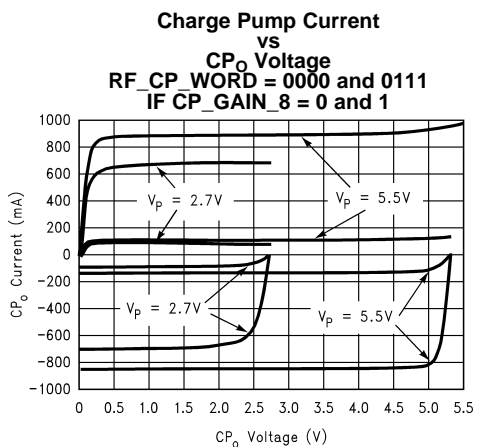


Figure 5.

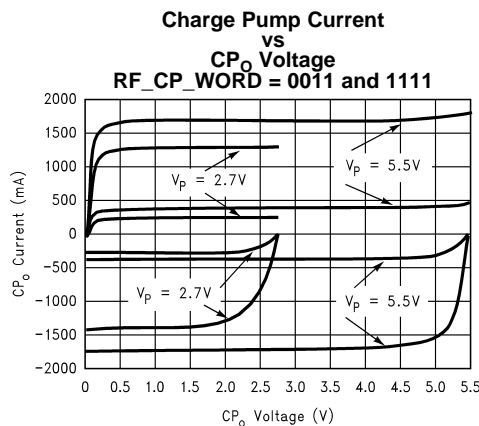


Figure 6.

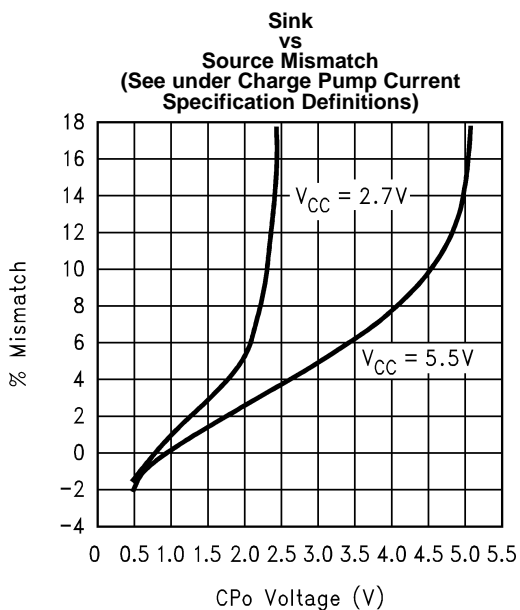
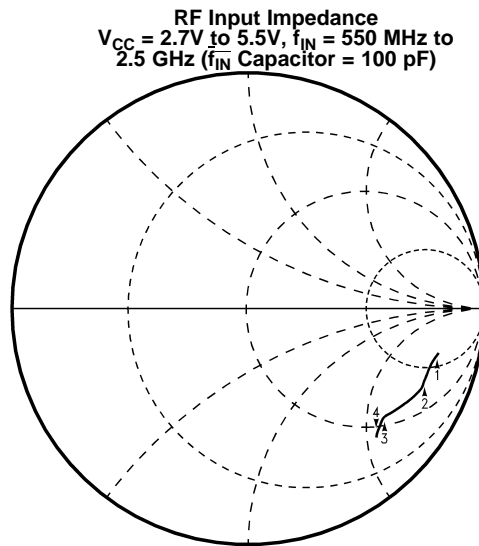


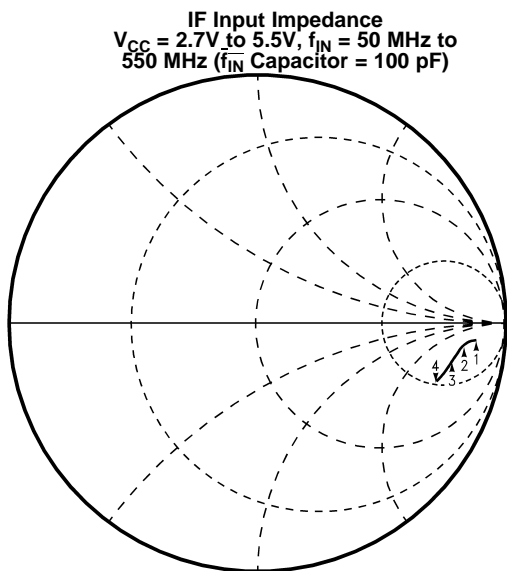
Figure 7.



Marker 1 = 550 MHz, Real = 212.39, Imaginary = -230.53
 Marker 2 = 1 GHz, Real = 104.52, Imaginary = -178.9
 Marker 3 = 1.8 GHz, Real = 58.703, Imaginary = -114.05
 Marker 4 = 2.5 GHz, Real = 43.059, Imaginary = -107.78

Figure 8.

Typical Performance Characteristics (continued)



Marker 1 = 50 MHz, Real = 575.91, Imaginary = -330.06
 Marker 2 = 200 MHz, Real = 388.39, Imaginary = -237.7
 Marker 3 = 550 MHz, Real = 276.67, Imaginary = -219.84
 Marker 4 = 550 MHz, Real = 154.95, Imaginary = -173.8

Figure 9.

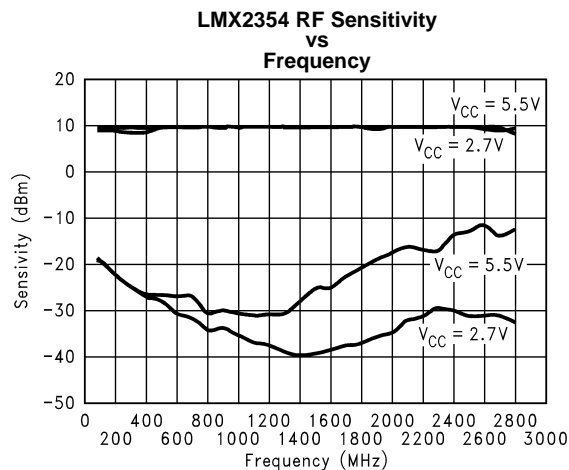


Figure 10.

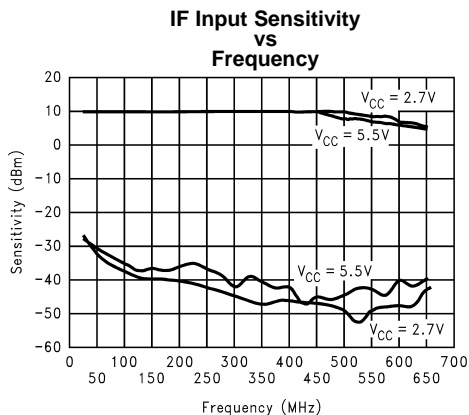


Figure 11.

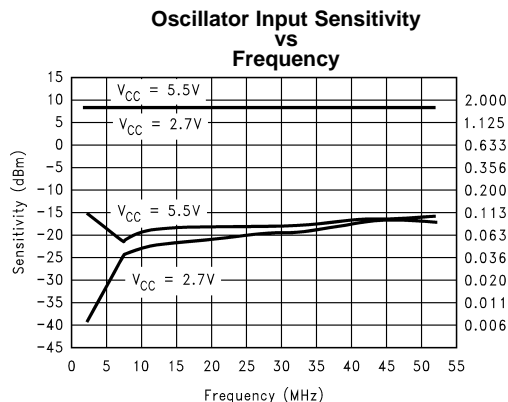


Figure 12.

FUNCTIONAL DESCRIPTION

GENERAL

The basic phase-lock-loop (PLL) configuration consists of a high-stability crystal reference oscillator, a frequency synthesizer such as the Texas Instruments LMX2354, a voltage controlled oscillator (VCO), and a passive loop filter. The frequency synthesizer includes a phase detector, current mode charge pump, as well as programmable reference [R] and feedback [N] frequency dividers. The VCO frequency is established by dividing the crystal reference signal down via the R counter to obtain a frequency that sets the comparison frequency. This reference signal, f_r , is then presented to the input of a phase/frequency detector and compared with another signal, f_p , the feedback signal, which was obtained by dividing the VCO frequency down by way of the N counter and fractional circuitry. The phase/frequency detector's current source outputs pump charge into the loop filter, which then converts the charge into the VCO's control voltage. The phase/frequency comparator's function is to adjust the voltage presented to the VCO until the feedback signal's frequency (and phase) match that of the reference signal. When this 'phase-locked' condition exists, the RF VCO's frequency will be $N+F$ times that of the comparison frequency, where N is the integer divide ratio and F is the fractional component. The fractional synthesis allows the phase detector frequency to be increased while maintaining the same frequency step size for channel selection. The division value N is thereby reduced giving a lower phase noise referred to the phase detector input, and the comparison frequency is increased allowing faster switching times.

REFERENCE OSCILLATOR INPUTS

The reference oscillator frequency for the RF and IF PLLs is provided by an external reference through the OSC_{IF} pin and OSC_{RF} pin. OSC_{IF}/OSC_{RF} block can operate 50 MHz with an input sensitivity of 0.5 Vpp. The OSC bit (see [OSC \(IF_R\[23\]\)](#)), selects whether the oscillator input pins OSC_{IF} and OSC_{RF} drive the IF and RF R counters separately or by a common input signal path. When an external TCXO is connected only at the OSC_{IF} input pin and not at the OSC_{RF} pin, the TCXO drives both IF R counter and RF R counter. When configured as separate inputs, the OSC_{IF} pin drives the IF R counter while the OSC_{RF} drives the RF R counter. The inputs have a $V_{CC}/2$ input threshold and can be driven from an external CMOS or TTL logic gate.

REFERENCE DIVIDERS (R COUNTERS)

The RF and IF R Counters are clocked through the oscillator block either separately or in common. The maximum frequency is 50 MHz. Both R Counters are 15-bit CMOS counters with a divide range from 3 to 32,767. (See [15-BIT PROGRAMMABLE REFERENCE DIVIDER RATIO \(RCOUNTER\) \(IF_R\[2\]-IF_R\[16\]\)](#))

PROGRAMMABLE DIVIDERS (N COUNTERS)

The RF and IF N Counters are clocked by the small signal fin_{RF} and fin_{IF} input pins respectively. The RF N Counter can be configured as a fractional or fully integer counter. The LMX2354 RF N counter is 19 bits with 15 bits integer divide and 4 bits fractional. The integer part is configured as a 2-bit A Counter, a 2-bit B Counter and a 11-bit C Counter. The LMX2354 is capable of operating from 500 MHz to 1.2 GHz with the 8/9/12/13 prescaler offering a continuous integer divide range from 40 to 16,383 in fractional mode and 24 to 262143 in full integer mode. The LMX2354 is capable of operating from 1.2 GHz to 2.5 GHz with the 16/17/20/21 prescaler offering a continuous integer divide range from 80 to 32,767 in fractional mode and 48 to 52,4287 in full integer mode. The RF counters for the LMX2354 also contain fractional compensation, programmable in either 1/15 or 1/16 modes. The LMX2354 IF N counter is 15-bit integer divider configured with a 3-bit A Counter and a 12-bit B Counter offering a continuous integer divide range from 56 to 32,767 over the frequency range of 10 MHz to 550 MHz. The IF N counter does not include fractional compensation. The tables below show the differences between the LMX2354 in integer mode and in quadruple modulus prescaler with $P = 16/17/20/21$. Also, the tables show that the bit used for the lower modulus prescaler values is different between the LMX2350 and the LMX2354. For the LMX2350 bit $N<9>=0$ (MSB of the A Word) is used for the 16/17 modulus and for the LMX2354 bit $N<8>=0$ is used for the 8/9/12/13 modulus. So if the LMX2354 is replacing a LMX2350 then bits $N<8>$ and $N<9>$ need to be swapped.

Table 1. LMX2354 RF N Counter Register in Fractional Mode with P = 16/17/20/21:

N	C Word											B Word		A Word		Fractional Word							
	19	18	17	16	15	14	13	12	11	10	9	8	7	6	5	4	3	2	1				
1–47	Divide ratios less than 48 are impossible since it is required that $C \geq 3$															These bits are used for the fractional word when the part is operated in fractional mode							
48–79	Some of these values are legal divide ratios, some are not																						
80*	0	0	0	0	0	0	0	0	1	0	1	0	0	0	0								
81	0	0	0	0	0	0	0	0	1	0	1	0	0	0	1								
...																							
1056	0	0	0	0	1	0	0	0	0	1	0	0	0	0	0								
...								
32,767	1	1	1	1	1	1	1	1	1	1	1	1	1	1	1								

Table 2. LMX2354 RF N Counter Register in Fractional Mode with P = 8/9/12/13

N	C Word											B Word		A Word		Fractional Word							
	19	18	17	16	15	14	13	12	11	10	9	8	7	6	5	4	3	2	1				
1–23	Divide ratios less than 24 are impossible since it is required that $C \geq 3$															These bits are used for the fractional word when the part is operated in fractional mode							
24–39	Some of these values are legal divide ratios, some are not																						
40*	0	0	0	0	0	0	0	0	1	0	1	0	0	0	0								
41	0	0	0	0	0	0	0	0	1	0	1	0	0	0	1								
...																							
272	0	0	0	0	0	1	0	0	0	1	0	0	0	0	0								
...								
16,383	1	1	1	1	1	1	1	1	1	1	1	1	0	1	1								

Prescaler

The RF and IF inputs to the prescaler consist of f_{in} and $/f_{in}$; which are complimentary inputs to differential pair amplifiers. The complimentary inputs are internally coupled to ground with a 10 pF capacitor. These inputs are typically AC coupled to ground through external capacitors as well. The input buffer drives the A counter's ECL D-type flip flops in a dual modulus configuration. An 8/9/12/13 or 16/17/20/21 prescale ratio can be selected for the LMX2354. The IF circuitry for both the LMX2354 contains an 8/9 prescaler. The prescaler clocks the subsequent CMOS flip-flop chain comprising the fully programmable A and B counters.

Fractional Compensation

The fractional compensation circuitry of the LMX2354 RF dividers allows the user to adjust the VCO's tuning resolution in 1/16 or 1/15 increments of the phase detector comparison frequency. A 4-bit register is programmed with the fractions desired numerator, while another bit selects between fractional 15 and 16 modulo base denominator (see [FRACTIONAL MODULUS ACCUMULATOR \(FRAC_CNTR\) \(RF_N\[2\]–RF_N\[5\]\)](#)). An integer average is accomplished by using a 4-bit accumulator. A variable phase delay stage compensates for the accumulated integer phase error, minimizing the charge pump duty cycle, and reducing spurious levels. This technique eliminates the need for compensation current injection in to the loop filter. Overflow signals generated by the accumulator are equivalent to 1 full VCO cycle, and result in a pulse swallow.

PHASE/FREQUENCY DETECTOR

The RF and IF phase/frequency detectors are driven from their respective N and R counter outputs. The phase detector outputs control the charge pumps. The polarity of the pump-up or pump-down control is programmed using RF_PD_POL or IF_PD_POL depending on whether RF/IF VCO characteristics are positive or negative (see [IF_CP_WORD \(IF_R\[17\]–IF_R\[18\]\)](#) and [RF_CP_WORD \(RF_R\[17\]–RF_R\[21\]\)](#)). The phase detector also receives a feedback signal from the charge pump, in order to eliminate dead zone.

CHARGE PUMP

The phase detector's current source outputs pump charge into an external loop filter, which then converts the charge into the VCO's control voltage. The charge pumps steer the charge pump output, CPo, to V_{CC} (pump-up) or ground (pump-down). When locked, CPo is primarily in a TRI-STATE mode with small corrections. The RF charge pump output current magnitude is programmable from 100 μ A to 1.6 mA in 100 μ A steps as shown in table [RF_CP_WORD \(RF_R\[17\]–RF_R\[21\]\)](#). The IF charge pump is set to either 100 μ A or 800 μ A levels using bit IF_R [19] (see [IF_CP_WORD \(IF_R\[17\]–IF_R\[18\]\)](#)).

VOLTAGE DOUBLER

The V_{pRF} pin is normally driven from an external power supply over a range of V_{CC} to 5.5V to provide current for the RF charge pump circuit. An internal voltage doubler circuit connected between the V_{CC} and V_{pRF} supply pins alternately allows V_{CC} = 3V (\pm 10%) users to run the RF charge pump circuit at close to twice the V_{CC} power supply voltage. The voltage doubler mode is enabled by setting the V2_EN bit (RF_R [22]) to a HIGH level. The voltage doubler's charge pump driver originates from the RF oscillator input (OSC_{RF}). The average delivery current of the doubler is less than the instantaneous current demand of the RF charge pump when active and is thus not capable of sustaining a continuous out of lock condition. A large external capacitor connected to V_{pRF} (\approx 0.1 μ F) is therefore needed to control power supply droop when changing frequencies.

MICROWIRE SERIAL INTERFACE

The programmable functions are accessed through the MICROWIRE serial interface. The interface is made of 3 functions: clock, data and latch enable (LE). Serial data for the various counters is clocked in from data on the rising edge of clock, into the 24-bit shift register. Data is entered MSB first. The last two bits decode the internal register address. On the rising edge of LE, data stored in the shift register is loaded into one of the 4 appropriate latches (selected by address bits). A complete programming description is included in the following sections.

Fo/LD MULTIFUNCTION OUTPUT

The Fo/LD output pin can deliver several internal functions including analog/digital lock detects, and counter outputs. See [FOLD Programming Truth Table \(IF_R\[19\]–IF_R\[21\]\)](#) for more details.

Lock Detect

A digital filtered lock detect function is included with each phase detector through an internal digital filter to produce a logic level output available on the Fo/LD output pin if selected. The lock detect output is high when the error between the phase detector inputs is less than 15 ns for 5 consecutive comparison cycles. The lock detect output is low when the error between the phase detector outputs is more than 30 ns for one comparison cycle. An analog lock detect signal is also selectable. The lock detect output is always low when the PLL is in power down mode. See [FOLD Programming Truth Table \(IF_R\[19\]–IF_R\[21\]\)](#), [LOCK DETECT DIGITAL FILTER – TYPICAL LOCK DETECT TIMING](#) for more details.

POWER CONTROL

Each PLL is individually power controlled by device enable pins or MICROWIRE power down bits. The enable pins override the power down bits **except for the V2_EN bit**. The RF_EN pin controls the RF PLL; IF_EN pin controls the IF PLL. When both pins are high, the power down bits determine the state of power control (see [Programming Description](#)). Activation of any PLL power down mode results in the disabling of the respective N counter and de-biasing of its respective fin input (to a high impedance state). The R counter functionality also becomes disabled when the power down bit is activated. The reference oscillator block powers down and the OSC_{IF} pin reverts to a high impedance state when both RF and IF enable pins or power down bit's are asserted, *unless the V2_EN bit (RF_R[22]) is high*. Power down forces the respective charge pump and phase comparator logic to a TRI-STATE condition. A power down counter reset function resets both N and R counters. Upon powering up the N counter resumes counting in "close" alignment with the R counter (The maximum error is one prescaler cycle). The MICROWIRE control register remains active and capable of loading and latching in data during all of the power down modes.

Major Differences between the LMX2354 and the LMX2350/52

	LMX2350/52	LMX2354
OSC _{IF}	Supports resonator mode.	Does not support resonator mode.
Low modulus prescale ⁽¹⁾	5-bit A counter, so if 16/17 prescale, bit-5 is the unused place holder.	4-bit A/B counters, so if 8/9/12/13, bit-4 is the unused place holder.
RF Prescaler	LMX2350—32/33 or 16/17 LMX2352—16/17 or 8/9	LMX2354—16/17/20/21 or 8/9/12/13
Fractional Engine	Standard. Fractional Compensation cannot be turned off.	Similar structure to the LMX2350/52, but with some modifications for improved phase noise and spurs. Fractional Compensation can be turned off.

(1) If the LMX2354 is replacing a LMX2350/52 in a design, and you are using the lower modulus prescale value (16/17 on the LMX2350 changes to 8/9/12/13 on the LMX2354), the unused prescaler bit of the LMX2350/52 needs to shift down one bit from N<9> to N<8>.

Programming Description

INPUT DATA REGISTER

The descriptions below describe the 24-bit data register loaded through the MICROWIRE Interface. The data register is used to program the 15-bit IF_R counter register, and the 15-bit RF_R counter register, the 15-bit IF_N counter register, and the 19-bit RF_N counter register. The data format of the 24-bit data register is shown below. The control bits CTL [1:0] decode the internal register address. On the rising edge of LE, data stored in the shift register is loaded into one of 4 appropriate latches (selected by address bits). Data is shifted in MSB first

MSB	DATA [21:0]		CTL [1:0]		LSB
23	2	1			0

Register Location Truth Table

CTL [1:0]		DATA Location
1	0	
0	0	IF_R register
0	1	IF_N register
1	0	RF_R register
1	1	RF_N register

Register Content Truth Table

	First Bit		REGISTER BIT LOCATION																	Last Bit					
	23	22	21	20	19	18	17	16	15	14	13	12	11	10	9	8	7	6	5	4	3	2	1	0	
IF_R	OSC	FRAC_16	FoLD		IF_CP_WORD		IF_R_CNTR																	0	0
IF_N	IF_CTL_WORD		CMOS OUTPUTS/ FRAC TEST			IF_NB_CNTR											IF_NA_CNTR		0	1					
RF_R	DLL_MOD E	V2_EN	RF_CP_WORD				RF_R_CNTR																	1	0
RF_N	RF_CTL_WORD		C_WORD						B_WORD		A_WORD		FRAC_CNTR			1	1								

PROGRAMMABLE REFERENCE DIVIDERS

IF_R REGISTER

If the Control Bits (CTL [1:0]) are 0 0, when data is transferred from the 24-bit shift register into a latch when LE is transitioned high. This register determines the IF R counter value, IF Charge pump current, FoLD pin output, fractional modulus, and oscillator mode.

MSB										LSB			
OSC	FRAC_16	FoLD [2:0]			IF_CP_WORD [1:0]			IF_R_CNTR [14:0]			0	0	
23	22	21	20	19	18	17	16	15	14	13	12	11	10

OSC (IF_R[23])

The **OSC** bit, IF_R [23], selects whether the oscillator inputs OSC_{IF} and OSC_{RF} drive the IF and RF R counters separately or by a common input signal path. When OSC = 0, the OSC_{IF} pin drives the IF R counter while the OSC_{RF} pin drives the RF R counter. When the OSC = 1, the OSC_{IF} pin drives both R counters.

FRAC_16(IF_R[22])

The **FRAC_16** bit, IF_R [22], is used to set the fractional compensation at either 1/16 and 1/15 resolution. When FRAC-16 is set to one, the fractional modulus is set to 1/16 resolution, and FRAC_16 = 0 corresponds to 1/15 (See [FRACTIONAL MODULUS ACCUMULATOR \(FRAC_CNTR\) \(RF_N\[2\]–RF_N\[5\]\)](#)).

15-BIT PROGRAMMABLE REFERENCE DIVIDER RATIO (R COUNTER) (IF_R[2]–IF_R[16])⁽¹⁾

Divide Ratio	IF_R_CNTR/RF_R_CNTR														
	14	13	12	11	10	9	8	7	6	5	4	3	2	1	0
3	0	0	0	0	0	0	0	0	0	0	0	0	0	1	1
4	0	0	0	0	0	0	0	0	0	0	0	0	1	0	0
•	•	•	•	•	•	•	•	•	•	•	•	•	•	•	•
32,767	1	1	1	1	1	1	1	1	1	1	1	1	1	1	1

(1) **Notes:** Divide ratio: 3 to 32,767 (Divide ratios less than 3 are prohibited).

RF_R_CNTR/IF_R_CNTR These bits select the divide ratio of the programmable reference dividers.

IF_CP_WORD (IF_R[17]–IF_R[18])

CP_GAIN_8	IF_PD_POL
-----------	-----------

BIT	LOCATION	FUNCTION	0	1
CP_GAIN_8	IF_R [18]	IF Charge Pump Current Gain	1X	8X
IF_PD_POL	IF_R [17]	IF Phase Detector Polarity	Negative	Positive

CP_GAIN_8 is used to toggle the IF charge pump current magnitude between 1X mode (100 μ A typical) and 8X mode (800 μ A typical).

IF_PD_POL is set to one when IF VCO characteristics are positive. When IF VCO frequency decreases with increasing control voltage IF_PD_POL should set to 0.

FoLD Programming Truth Table (IF_R[19]–IF_R[21])⁽¹⁾

FoLD	FoLD OUTPUT STATE
0 0 0	IF and RF Analog Lock Detect
1 0 0	IF Digital Lock Detect

(1) FoLD - Fout/Lock Detect PROGRAMMING BITS

FoLD	Fo/LD OUTPUT STATE
0 1 0	RF Digital Lock Detect
1 1 0	IF and RF Digital Lock Detect
0 0 1	IF R counter
1 0 1	IF N counter
0 1 1	RF R counter
1 1 1	RF N counter

RF_R Register

If the Control Bits (CTL [1:0]) are 1 0, data is transferred from the 24-bit shift register into the RF_R register latch which sets the RF PLL's 15-bit R counter divide ratio. The divide ratio is programmed using the RF_R_CNTR word as shown in [15-BIT PROGRAMMABLE REFERENCE DIVIDER RATIO \(R COUNTER\) \(IF_R\[2\]_IF_R\[16\]\)](#). The divide ratio must be ≥ 3 . The bits used to control the voltage doubler (V2_EN) and RF Charge Pump (RF_CP_WORD) are detailed in [RF_CP_WORD \(RF_R\[17\]–RF_R\[21\]\)](#).

MSB						LSB
DLL_MODE	V2_EN	RF_CP_WORD [4:0]	RF_R_CNTR [14:0]	1		0
23	22	21	17 16	2	1	0

(RF_R[22]–RF_R[23])⁽¹⁾

DLL_MODE	V2_EN
----------	-------

- (1) **Note 1.** V2_EN bit when set high enables the voltage doubler for the RF Charge Pump supply.
Note 2. DLL_MODE bit should be set to one for normal usage.

BIT	LOCATION	FUNCTION	0	1
DLL_MODE	RF_R [23]	Delay Line Loop Calibration Mode	Slow	Fast
V2_EN	RF_R [22]	RF_Voltage Doubler Enable	Disabled	Enabled

RF_CP_WORD (RF_R[17]–RF_R[21])

CP_8X	CP_4X	CP_2X	CP_1X	RF_PD_POL
-------	-------	-------	-------	-----------

RF_PD_POL (RF_R[17]) should be set to one when RF VCO characteristics are positive. When RF VCO frequency decreases with increasing control voltage RF_PD_POL should be set to zero.

CP_1X, **CP_2X**, **CP_4X**, and **CP_8X** are used to step the RF Charge Pump output current magnitude from 100 μ A to 1.6 mA in 100 μ A steps as shown in the table below.

Table 3. RF Charge Pump Output Truth Table

ICPo μ A (typ)	CP8X RF_R[21]	CP4X RF_R[20]	CP2X RF_R[19]	CP1X RF_R[18]
100	0	0	0	0
200	0	0	0	1
300	0	0	1	0
400	0	0	1	1
•	•	•	•	•
900	1	0	0	0
•	•	•	•	•
1600	1	1	1	1

Programmable Dividers (N Counters)

IF_N REGISTER

If the Control Bits (CTL [1:0]) are 0 1, data is transferred from the 24-bit shift register into the IF_N register latch which sets the PLL's 15-bit programmable N counter value and various control functions. The IF_N counter consists of the 3-bit swallow counter (A counter), and the 12-bit programmable counter (B counter). Serial data format is shown below in [Programmable CMOS Output Truth Table](#) and [3-BIT IF SWALLOW COUNTER DIVIDE RATIO \(IF A COUNTER\) \(IF_N\[2\]–IF_N\[4\]\)](#). The divide ratio (IF_NB_CNTR) must be ≥ 3 . The divide ratio is programmed using the bits IF_N_CNTR as shown in [CMOS \(Programmable CMOS outputs\) \(IF_N\[17\]–IF_N\[20\]\)](#) and [Programmable CMOS Output Truth Table](#). The minimum continuous divide ratio is 56. The CMOS [3:0] bits program the 2 CMOS outputs detailed in [CMOS \(Programmable CMOS outputs\) \(IF_N\[17\]–IF_N\[20\]\)](#), and also contain the fractional test bit.

MSB				LSB			
IF_CTL_WORD [2:0]	CMOS [3:0]	IF_NB_CNTR [11:0]	IF_NA_CNTR [2:0]	0	1		
23	21 20	17 16	5 4	2 1	0		

IF_CTL_WORD (IF_N[21]–IF_N[23])

MSB		LSB	
IF_CNT_RST	PWDN_IF	PWDN_MODE	

NOTE

See [RF/IF Control Word Truth Table](#) for IF control word truth table.

CMOS (Programmable CMOS outputs) (IF_N[17]–IF_N[20])

MSB			LSB		
FastLock	TEST	OUT_1	OUT_0		

NOTE

Test bit is reserved and should be set to zero for normal usage.

Programmable CMOS Output Truth Table

Bit	Location	Function	0	1
OUT_0	IF_N[17]	OUT0 CMOS Output Pin Level Set	LOW	HIGH
OUT_1	IF_N[18]	OUT1 CMOS Output Pin Level Set	LOW	HIGH
Test	IF_N[19]	Fractional Test Bit	Normal Operation	No Fractional Compensation
Fastlock	IF_N[20]	Fastlock Mode Select	CMOS Output	Fastlock Mode

Test Bit IF_N[19] controls the fractional spur compensation and should be set to 0 for normal operation. If the test bit is set to 1, then the fractional spurs become much worse, but the phase noise improves about 5 dB.

When the **Fastlock** bit is set to 1, **OUT_0** and **OUT_1** are don't care bits. Fastlock mode utilizes the OUT0 and OUT1 output pins to synchronously switch between active low and TRI-STATE. The OUT0 = LOW state occurs whenever the RF loop's CP_8X is selected HIGH while the Fastlock bit is set HIGH (see [RF_CP_WORD \(RF_R\[17\]–RF_R\[21\]\)](#)). The OUT0 pin reverts to TRI-STATE when the CP_8X bit is LOW. Similarly for the IF loop, the synchronous activation of OUT1 = LOW or TRI-STATE, is dependent on whether the CP_GAIN_8 is high or low respectively (see [IF_CP_WORD \(IF_R\[17\]–IF_R\[18\]\)](#)).

3-BIT IF SWALLOW COUNTER DIVIDE RATIO (IF A COUNTER) (IF_N[2]–IF_N[4])

Swallow Count	IF_NA_CNTR		
(A)	2	1	0
0	0	0	0
1	0	0	1
•	•	•	•
7	1	1	1

NOTE

Swallow Counter Value: 0 to 7

IF_NB_CNTR ≥ IF_NA_CNTR

Minimum continuous count = 56 (A=0, B=7)

12-BIT IF PROGRAMMABLE COUNTER DIVIDE RATIO (IF B COUNTER) (IF_N[5]–IF_N[16])

Divide Ratio	IF_NB_CNTR											
	11	10	9	8	7	6	5	4	3	2	1	0
3	0	0	0	0	0	0	0	0	0	0	1	1
4	0	0	0	0	0	0	0	0	0	1	0	0
•	•	•	•	•	•	•	•	•	•	•	•	•
4095	1	1	1	1	1	1	1	1	1	1	1	1

NOTE

Divide ratio: 3 to 4095 (Divide ratios less than 3 are prohibited)

IF_NB_CNTR ≥ IF_NA_CNTR

N divider continuous integer divide ratio 56 to 32,767.

RF_N Register

If the control bits (CTL[2:0]) are 1 1, data is transferred from the 24-bit shift register into the RF_N register latch which sets the RF PLL's programmable N counter register and various control functions. The RF N counter consists of a 2-bit A counter, 2-bit B counter, 11-bit C counter, and a 4-bit fractional counter. For proper operation, C_WORD ≥ MAX{A_WORD, B_WORD} + 2. Serial data format is shown below.

MSB											LSB		
RF_CTL_WORD [2:0]	C_WORD [10:0]		B_WORD [1:0]		A_WORD [1:0]		FRAC_CONT [3:0]			1	1		
23	21	20	10	9	8	7	6	5	4	3	2	1	0

RF_CTL_WORD (RF_N[21]–RF_N[23])

MSB								LSB			
RF_CNT_RST		PWDN_RF						PRESC_SEL			

RF/IF Control Word Truth Table

BIT	FUNCTION	0	1
IF_CNT_RST/RF_CNT_RST	IF/RF counter reset	Normal Operation	Reset
PWDN_IF/PWDN_RF	IF/RF power down	Powered up	Powered down
PWDN_MODE	Power down mode select	Asynchronous power down	Synchronous power down

BIT		FUNCTION	0	1
PRESC_SEL	LMX2354	Prescaler Modulus Select	8/9/12/13 0.5 GHz–1.2 GHz	16/17/20/21 1.2 GHz–2.5 GHz

The **Counter Reset** enable bit when activated allows the reset of both N and R counters. Upon powering up, the N counter resumes counting in “close” alignment with the R counter (the maximum error is one prescaler cycle).

Activation of the PLL **power down** bits result in the disabling of the respective N counter divider and de-biasing of its respective fin inputs (to a high impedance state). The respective R counter functionality also becomes disabled when the power down bit is activated. The OSC_{IF} pin reverts to a high impedance state when both RF and IF power down bits are asserted. Power down forces the respective charge pump and phase comparator logic to a TRI-STATE condition. The MICROWIRE control register remains active and capable of loading and latching in data during all of the power down modes.

Both synchronous and asynchronous power down modes are available with the LMX235x family in order to adapt to different types of applications. The power down mode bit IF_N[21] is used to select between synchronous and asynchronous power down. The MICROWIRE control register remains active and capable of loading and latching in data during all of the power down modes.

Synchronous Power Down Mode

One of the PLL loops can be *synchronously* powered down by first setting the power down mode bit HIGH (IF_N[21] = 1) and then asserting its power down bit (IF_N[22] or RF_N[22] = 1). The power down function is gated by the charge pump. Once the power down bit is loaded, the part will go into power down mode upon the completion of a charge pump pulse event.

Asynchronous Power Down Mode

One of the PLL loops can be *asynchronously* powered down by first setting the power down mode bit LOW (IF_N[21] = 0) and then asserting its power down bit (IF_N[22] or RF_N[22] = 1). The power down function is NOT gated by the charge pump. Once the power down bit is loaded, the part will go into power down mode immediately.

Prescaler select is used to set the RF prescaler. The LMX2354 contains quadruple modulus prescalers. It uses the 16/17/20/21 prescaler mode to operate at 1.2 GHz–2.5 GHz. In addition, it can use the 8/9/12/13 prescaler to operate at 550 MHz–1.2 GHz.

N REGISTER—(8/9/12/13) PRESCALER OPERATING IN FRACTIONAL MODE (RF_N[6]–RF_N[20])

RF_N_CNTR [14:0]																
Divide Ratio	C Word										B Word		A Word			
1–23	Divide Ratios Less than 24 are impossible since it is required that C>=3															
24–39	Some of these N values are Legal Divide Ratios, some are not															
40	0	0	0	0	0	0	0	0	0	1	0	1	0	0	0	0
41	0	0	0	0	0	0	0	0	0	1	0	1	0	0	0	1
...	0	.	.	.
16383	1	1	1	1	1	1	1	1	1	1	1	1	0	1	1	1

N REGISTER—(16/17/20/21) PRESCALER OPERATING IN FRACTIONAL MODE (RF_N[6]–RF_N[20])

RF_N_CNTR [14:0]																
Divide Ratio	C Word										B Word		A Word			
1–47	Divide Ratios Less than 48 are impossible since it is required that C>=3															
48–79	Some of these N values are Legal Divide Ratios, some are not															
80	0	0	0	0	0	0	0	0	0	1	0	1	0	0	0	0
81	0	0	0	0	0	0	0	0	0	1	0	1	0	0	0	1
...	0	.	.	.
32767	1	1	1	1	1	1	1	1	1	1	1	1	1	1	1	1

FRACTIONAL MODULUS ACCUMULATOR (FRAC_CNTR) (RF_N[2]–RF_N[5])

Fractional Ratio (F)		FRAC_CNTR			
Modulus 15	Modulus 16	RF_N[5]	RF_N[4]	RF_N[3]	RF_N[2]
0	0	0	0	0	0
1/15	1/16	0	0	0	1
2/15	2/16	0	0	1	0
•	•	•	•	•	•
14/15	14/16	1	1	1	0
N/A	15/16	1	1	1	1

QUADRATURE MODULUS PRESCALER

The LMX2354 contains a quadrature modulus prescaler, consisting of a prescaler, A counter, B counter and C counter. Once the N value is known, the A, B, and C values can be calculated by:

$$C = N \text{ div } P$$

$$B = (N - C \cdot P) \text{ div } 4$$

$$A = N \text{ mod } 4$$

For the divide ratio to be legal, it is also required:

$$C \geq \max \{A, B\} + 2$$

$$f_{vco} = [N + F] \times [f_{osc} / R]$$

$$N = P \cdot C + 4 \cdot B + A$$

F: Fractional ratio (contents of FRAC_CNTR divided by the fractional modulus)

f_{vco}: Output frequency of external voltage controlled oscillator (VCO)

C: Preset value of the C counter

B: Preset value of the B counter

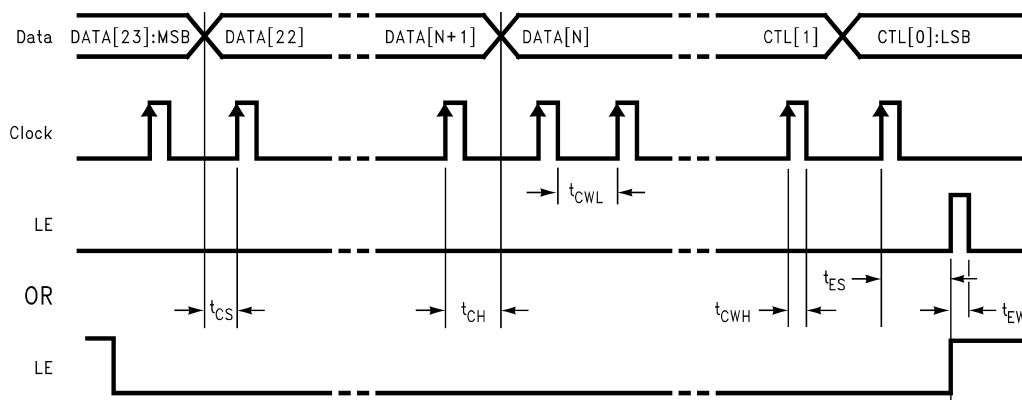
A: Preset value of the A counter

f_{osc}: Output frequency of the external reference frequency oscillator

R: Preset divide ratio of binary 15-bit programmable reference counter (3 to 32,767)

P: Preset modulus of quadrature modulus prescaler

8/9/12/13 550 MHz–1.2 GHz
16/17/20/21 1.2 GHz–2.5 GHz

SERIAL DATA INPUT TIMING


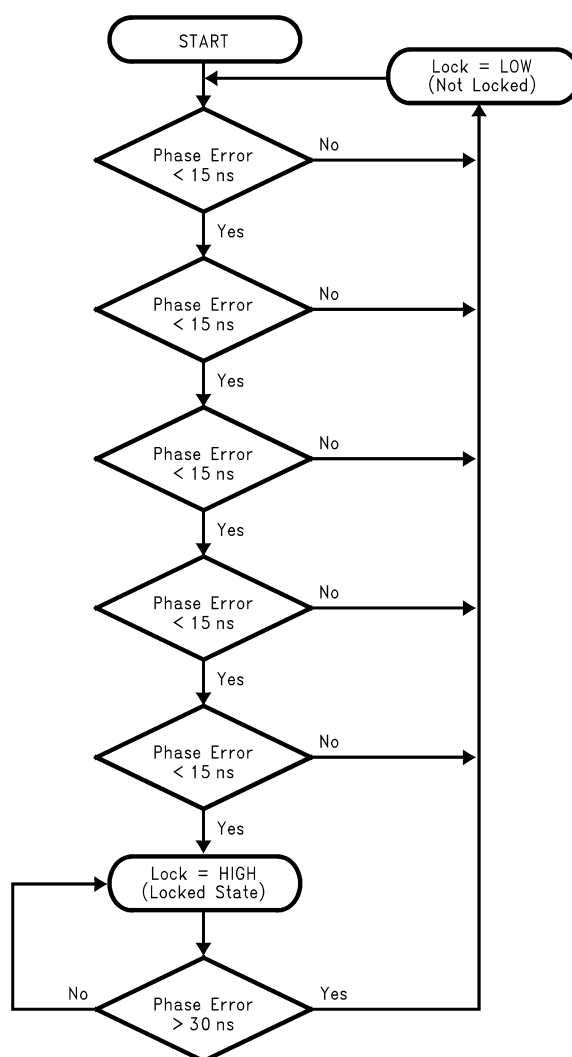
NOTE

Data shifted into register on clock rising edge. Data is shifted in MSB first.

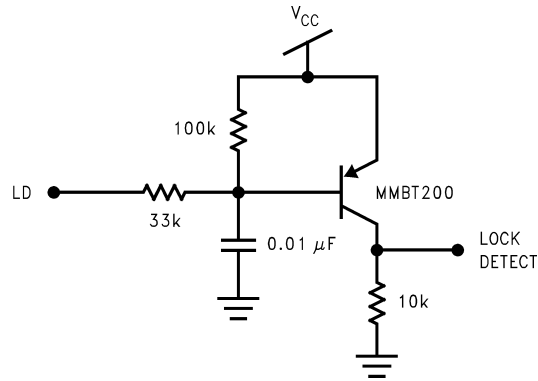
TEST CONDITIONS: The Serial Data Input Timing is tested using a symmetrical waveform around $V_{CC}/2$. The test waveform has an edge rate of 0.6 V/ns with amplitudes of 2.2V @ $V_{CC}=2.7V$ and 2.6V @ $V_{CC} = 5.5V$.

LOCK DETECT DIGITAL FILTER

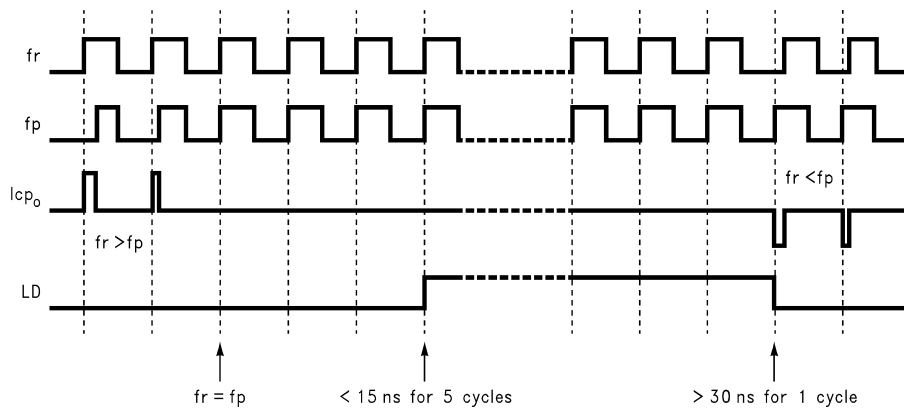
The Lock Detect Digital Filter compares the difference between the phase of the inputs of the phase detector to a RC generated delay of approximately 15 ns. To enter the locked state (Lock = HIGH) the phase error must be less than the 15 ns RC delay for 5 consecutive reference cycles. Once in lock (Lock = HIGH), the RC delay is changed to approximately 30 ns. To exit the locked state (Lock = LOW), the phase error must become greater than the 30 ns RC delay. When the PLL is in the power down mode, Lock is forced LOW. A flow chart of the digital filter is shown at right.

**ANALOG LOCK DETECT FILTER**

When the Fo/LD output is configured in analog lock detect mode an external lock detect circuit is needed in order to provide a steady LOW signal when the PLL is in the locked state. A typical circuit is shown below.



TYPICAL LOCK DETECT TIMING



REVISION HISTORY

Changes from Revision B (March 2013) to Revision C	Page
• Changed layout of National Data Sheet to TI format	21

IMPORTANT NOTICE

Texas Instruments Incorporated and its subsidiaries (TI) reserve the right to make corrections, enhancements, improvements and other changes to its semiconductor products and services per JESD46, latest issue, and to discontinue any product or service per JESD48, latest issue. Buyers should obtain the latest relevant information before placing orders and should verify that such information is current and complete. All semiconductor products (also referred to herein as "components") are sold subject to TI's terms and conditions of sale supplied at the time of order acknowledgment.

TI warrants performance of its components to the specifications applicable at the time of sale, in accordance with the warranty in TI's terms and conditions of sale of semiconductor products. Testing and other quality control techniques are used to the extent TI deems necessary to support this warranty. Except where mandated by applicable law, testing of all parameters of each component is not necessarily performed.

TI assumes no liability for applications assistance or the design of Buyers' products. Buyers are responsible for their products and applications using TI components. To minimize the risks associated with Buyers' products and applications, Buyers should provide adequate design and operating safeguards.

TI does not warrant or represent that any license, either express or implied, is granted under any patent right, copyright, mask work right, or other intellectual property right relating to any combination, machine, or process in which TI components or services are used. Information published by TI regarding third-party products or services does not constitute a license to use such products or services or a warranty or endorsement thereof. Use of such information may require a license from a third party under the patents or other intellectual property of the third party, or a license from TI under the patents or other intellectual property of TI.

Reproduction of significant portions of TI information in TI data books or data sheets is permissible only if reproduction is without alteration and is accompanied by all associated warranties, conditions, limitations, and notices. TI is not responsible or liable for such altered documentation. Information of third parties may be subject to additional restrictions.

Resale of TI components or services with statements different from or beyond the parameters stated by TI for that component or service voids all express and any implied warranties for the associated TI component or service and is an unfair and deceptive business practice. TI is not responsible or liable for any such statements.

Buyer acknowledges and agrees that it is solely responsible for compliance with all legal, regulatory and safety-related requirements concerning its products, and any use of TI components in its applications, notwithstanding any applications-related information or support that may be provided by TI. Buyer represents and agrees that it has all the necessary expertise to create and implement safeguards which anticipate dangerous consequences of failures, monitor failures and their consequences, lessen the likelihood of failures that might cause harm and take appropriate remedial actions. Buyer will fully indemnify TI and its representatives against any damages arising out of the use of any TI components in safety-critical applications.

In some cases, TI components may be promoted specifically to facilitate safety-related applications. With such components, TI's goal is to help enable customers to design and create their own end-product solutions that meet applicable functional safety standards and requirements. Nonetheless, such components are subject to these terms.

No TI components are authorized for use in FDA Class III (or similar life-critical medical equipment) unless authorized officers of the parties have executed a special agreement specifically governing such use.

Only those TI components which TI has specifically designated as military grade or "enhanced plastic" are designed and intended for use in military/aerospace applications or environments. Buyer acknowledges and agrees that any military or aerospace use of TI components which have **not** been so designated is solely at the Buyer's risk, and that Buyer is solely responsible for compliance with all legal and regulatory requirements in connection with such use.

TI has specifically designated certain components as meeting ISO/TS16949 requirements, mainly for automotive use. In any case of use of non-designated products, TI will not be responsible for any failure to meet ISO/TS16949.

Products

Audio	www.ti.com/audio
Amplifiers	amplifier.ti.com
Data Converters	dataconverter.ti.com
DLP® Products	www.dlp.com
DSP	dsp.ti.com
Clocks and Timers	www.ti.com/clocks
Interface	interface.ti.com
Logic	logic.ti.com
Power Mgmt	power.ti.com
Microcontrollers	microcontroller.ti.com
RFID	www.ti-rfid.com
OMAP Applications Processors	www.ti.com/omap
Wireless Connectivity	www.ti.com/wirelessconnectivity

Applications

Automotive and Transportation	www.ti.com/automotive
Communications and Telecom	www.ti.com/communications
Computers and Peripherals	www.ti.com/computers
Consumer Electronics	www.ti.com/consumer-apps
Energy and Lighting	www.ti.com/energy
Industrial	www.ti.com/industrial
Medical	www.ti.com/medical
Security	www.ti.com/security
Space, Avionics and Defense	www.ti.com/space-avionics-defense
Video and Imaging	www.ti.com/video

TI E2E Community

e2e.ti.com